



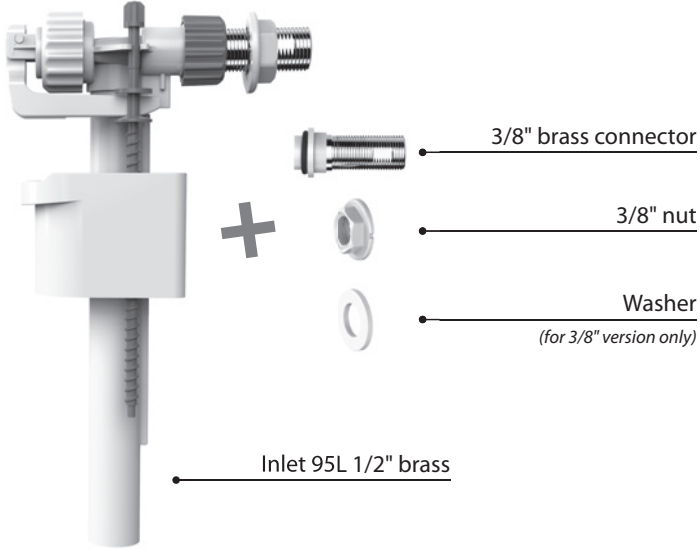
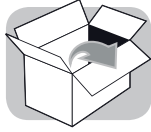
95L
3/8" Brass



95L
1/2" Brass

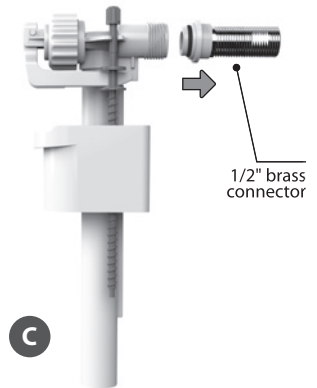
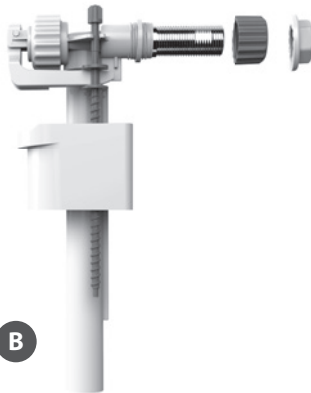


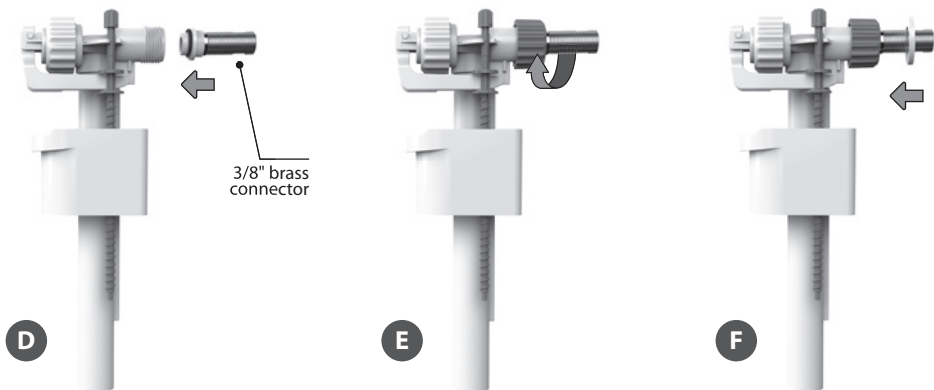
1. Component list



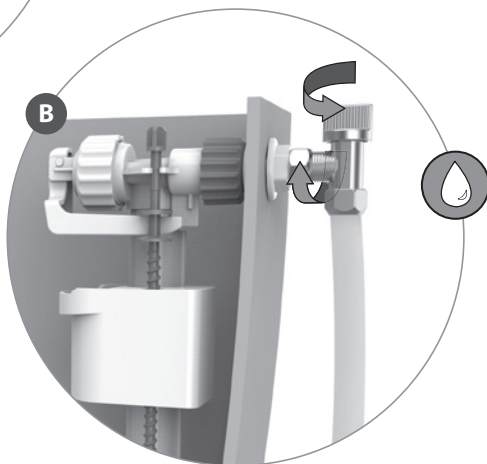
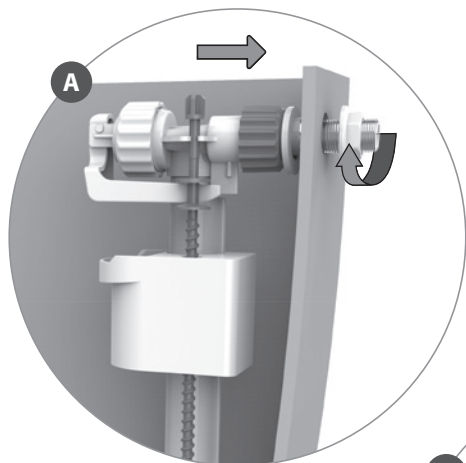
2. To switch for 3/8" version

The inlet is delivered in 1/2" brass version.
To switch for 3/8" version, please follow the below steps.

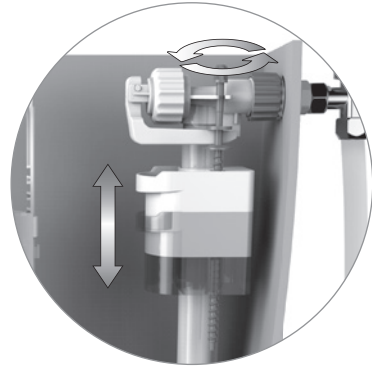
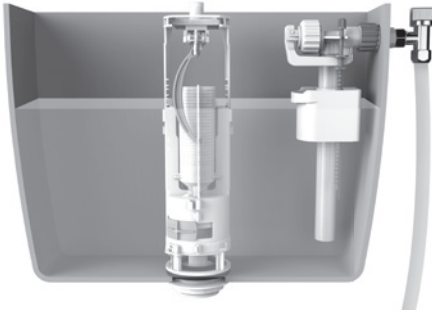




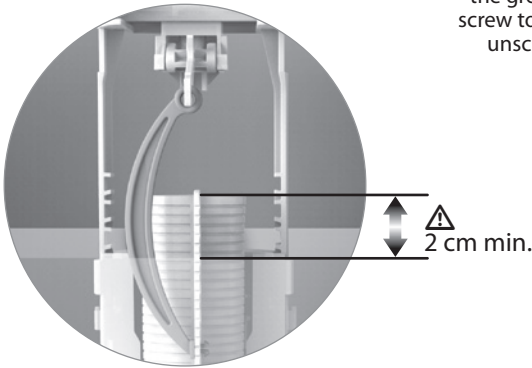
3. Inlet installation (3/8" or 1/2" brass)



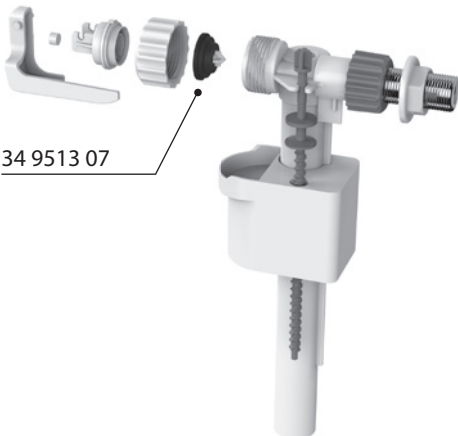
4. Water level adjustment



Adjust water level with the grey adjustable screw ; screw to increase water level, unscrew to decrease it.



5. Maintenance



34 9513 07

WARNINGS:

- An approved single check valve or some other no less effective backflow prevention device shall be fitted at the point of connection(s) between the supply and the fitting.
- Do not over tight in any case.
- Do not use any sealing paste and/or compound in any case

SIAMP UK will be not responsible in case these warnings are not respected.